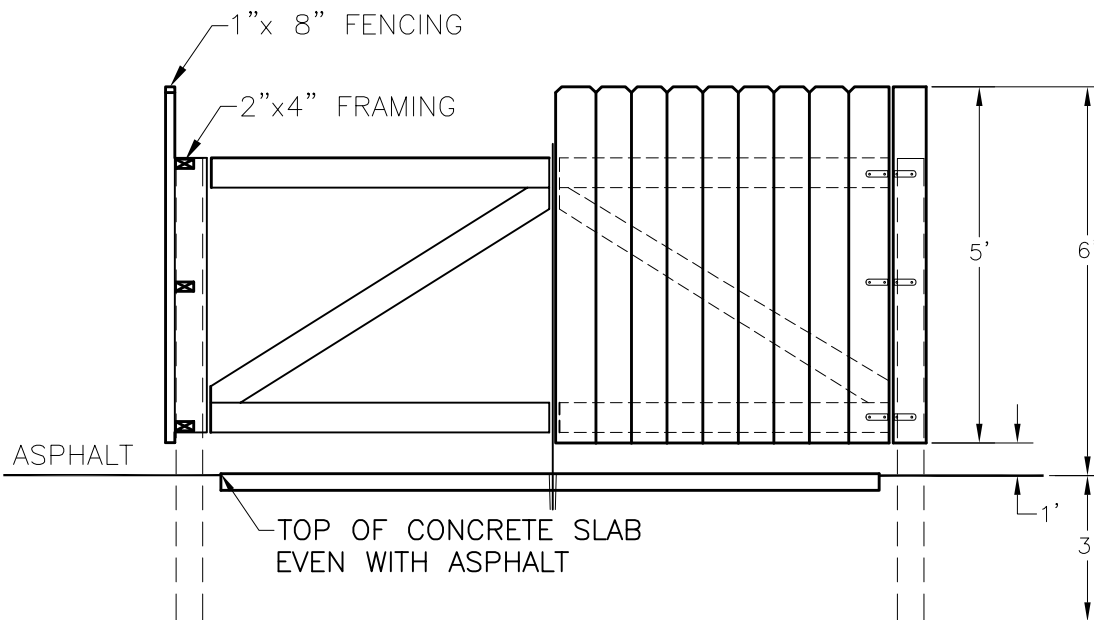


1. WALLS MUST BE LANDSCAPED WITH HEDGE MATERIAL PLANTED AT 2 FT. INTERVALS.
2. ALL HARDWARE TO BE HOT DIPPED BALVANIZED.

PLAN VIEW



FRONT VIEW

REVISED: SEPT-2009	GENERAL CONSTRUCTION - GARBAGE DUMPSTER ENCLOSURE	STANDARD DETAIL
ISSUED: SEPT - 2009	CITY OF WEST PALM BEACH ENGINEERING SERVICES DEPT.	GC-8